



ATELIER
TRADEWINDS



ATELIER
TRADEWINDS

At Tradewinds workshop, my fellow craftsmen and I create, produce and distribute authentic products for terraces and gardens.

The art of outdoor living is our main concern. We thoroughly reshape widely used and distributed products to restore their authentic purpose and make them lasting, user-friendly and pleasing to the eye. Far away from soulless mass production.

We are positive nostalgics, persistently seeking for the perfect blend between craftsmanship and new techniques to achieve objects with a story. Hand made in small series, they will support your quality time outdoors.



Jean-Pierre Galeyn
September 2021

LANTERNS



Moon Soon
4 - 7

CLARO!
8 - 11

HANDCARTS



Jack
12 - 15

Wagon
16 - 19

Wagon + basket
20 - 23

Wagoon
24 - 27

Cook Cook's Nest
28 - 31

SHOWERS



Show'r
32 - 35

Fieldshow'r
36 - 39

Cascade
40 - 43

WellWell
44 - 47

STORAGE



SHELTA^R
48 - 51

Chest'r
52 - 55

Fresh*r
56 - 59

WATERING



Waterette
60 - 63

Roll'x
64 - 67

Wall'r
68 - 71

Propel'r
72 - 75

GARDENING



CULT
76 - 81

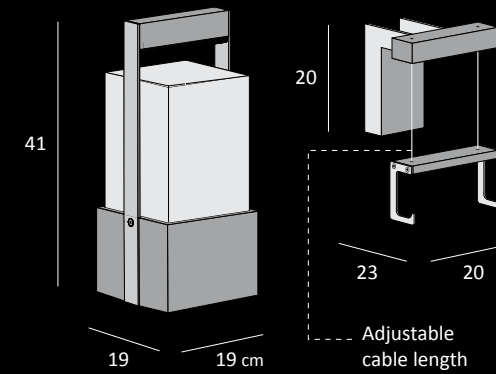
Bordurettes
82 - 87



moonsoon 



Moon Soon is Tradewinds first designed storm lamp. Made out of waterproof and sun proof materials, Moon Soon is happy outdoors whatever the weather. The energy-saving LED bulb runs off a 12 Volts battery, whose weight adds sufficient stability to withstand even very strong winds. The rechargeable battery offers 20 hours of intense light autonomy comparable to a 40 Watts incandescent bulb. This will allow four people around the lamp to read and write in complete darkness. Recharging is performed with a classic battery charger delivered with the set. We also developed a weatherproof console where your Moon Soon can hang. This console can eventually be used as a charger. Weight 6 Kg.

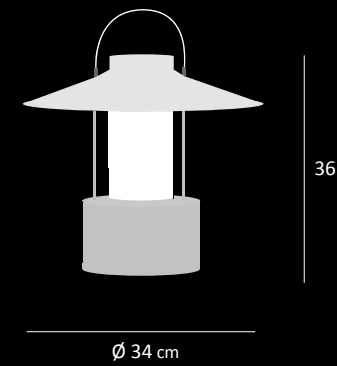


A glowing white lantern with a black handle sits on a wooden deck. The lantern has a cylindrical base and a wide, conical shade. The light inside is bright yellow. The background is a blurred garden with tall grasses and small white flowers. The overall scene is peaceful and atmospheric.

claro!



Claro! is Tradewinds other cordless storm lamp. Like Moon Soon it is made out of waterproof and sun proof Plexiglass and aluminium. This lantern was designed with a big round shade in frosted acrylic to avoid being dazzled while reading and writing in the darkest nights outdoor. The energy-saving LED bulb runs off a 12 Volts battery, whose weight adds sufficient stability to withstand even very strong winds. The rechargeable battery offers 20 hours of intense light autonomy comparable to a 40 Watts incandescent bulb. Recharging is performed with a classic battery charger delivered with the set. Claro! is happy outdoors whatever the natural conditions. So, whether you're in the garden or terrace, on a boat or out camping, Claro! will bring you the light you need. Weight 6 Kg.

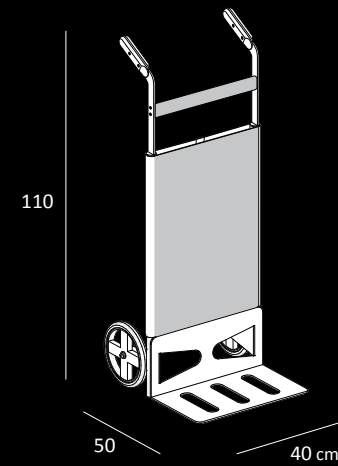




Jack



J.ack-of-all-trades by Tradewinds ! This two-wheeled trolley is made out of fibreglass tube and aluminium for maximum manoeuvrability and lightness. A skirt on the back retains small loads without damaging them. It can withstand over 100 Kg load and is designed to make lightweight of heavy household tasks. Firewood, food and beverages or luggages. An adjustable heavy-duty Sandow strap ensures that all your loads are well anchored. The care taken with the finishings makes this handyman equally pleasing to the eye. Weight 5 Kg.

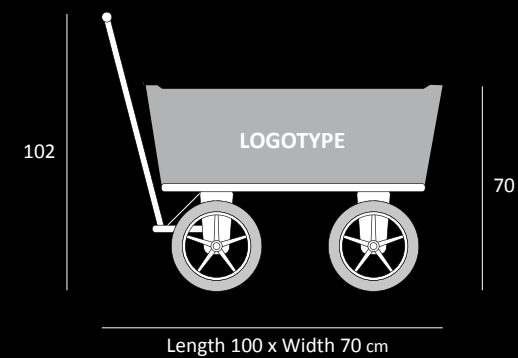




 **the wagon**



Wagon is an ultra-light cart for outdoor use. Made from aluminium, fiberglass and marine plywood. It is rustproof, waterproof & rotproof. Even the acrylic canvas is completely sunproof and waterproof and very resistant. The nylon wheels are mounted on weatherproof bearings and are suspended by fibreglass shafts and 12 inches pneumatic tyres. It only weights 15 Kg but can carry loads 10 times heavier ! It is fully dismountable and fits into all car trunks. The acrylic canvas is available in a wide variety of colours. Volume 230 litres. Personal logotypes can be printed on the canvas. See pages 82 and 83. Weight 15 Kg.

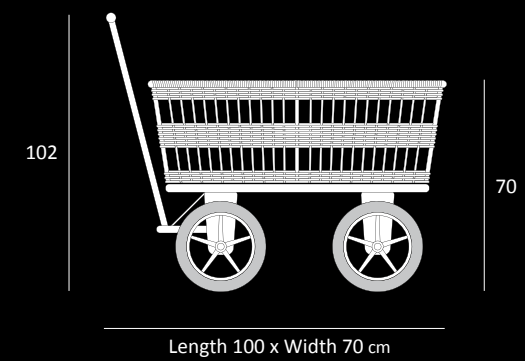




 **the wagon** with a basket...



Basket making is one of the oldest, most traditional art forms in the world. Our basket has the appearance of traditional woven rattan cane or willow with all the advantages of modern materials. Woven using high quality synthetic PE fibres, it is weatherproof and resistant to heavy loads, whilst retaining an authentic appearance. A fastener under each corner makes it easy to attach and remove the basket from the Wagon, enabling you to use the basket on its own, both indoors and out. Personal logotype can be printed on a plate. See pages 22, 82 and 83. Weight 20 Kg.

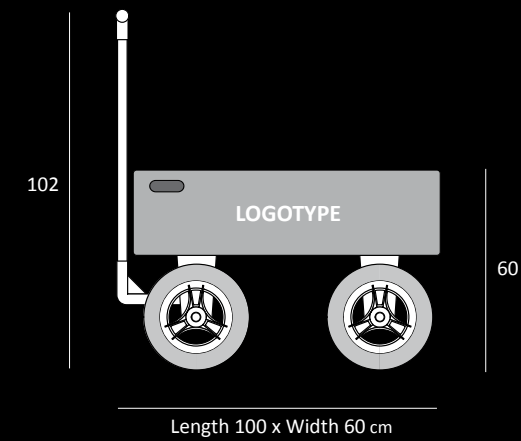




WAGGOON



Wagoon is a young boy's dream come true, it is a blend of favourite toys, racing cars, trains and go-karts. But Wagoon is in fact a very practical, multipurpose outdoor cart, rolling on sturdy 12 inches wheels. This trolley is very light but strong enough to carry weights of 100 Kg. The sides are made from a light composite material with aluminium, the base is marine plywood and all the axels are fiberglass. 100% weatherproof materials. Wagoon can transport your goods with ease, making every trip a pleasurable experience. The sides of the Wagoon can be printed with your personal logotype. See pages 82 and 83. Weight 15 Kg.

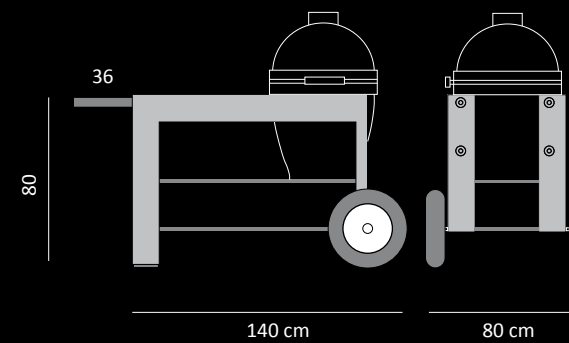




cook,
cook's
nest



The Cook's Nest is a trolley designed to move your Big Green Egg Large in a safe way. It also offers 3 shelves to work in comfort around your outdoor oven. We use two big puncture free wheels to roll trouble-free on grass, grit and cobble stones. Two removable handles help you to easily lift the weight in the lower position or add an extra table in the higher position. Our frame is made out of a corrosion free steel and the three boards out of Viroc, a weather proof material. Just clean with water and soap. Table length 120 cm, table extension + 36 cm. Weight 120 kg with the Big Green Egg Large.



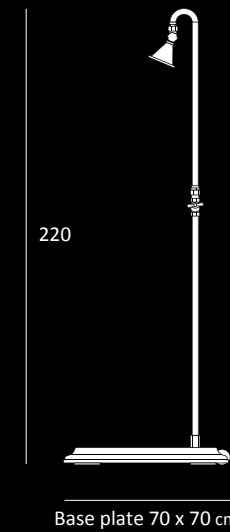


Show^oR
THE BODY & BOOT SHOWER



Show'r is a mobile outdoor shower made out of galvanised and powder-coated iron tubes and a 70 x 70 cm Robinia wood base. Wheels are placed at the back to allow the shower to be moved easily. All the connectors, tap and shower head are brass. Just click your garden hose to the standard quick connector at the base and your garden shower is ready. Show'r is also easily dismantable and can be transformed in a boot-shower. The shower head comes downside and boots ,wellies or sandy feet can be rinsed easily. Weight 25 Kg.

Shoe brushes set



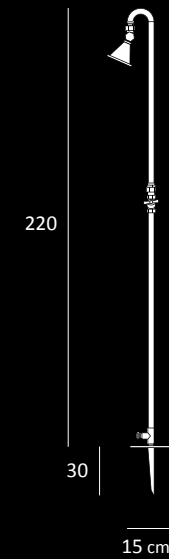


Fieldshow[®]R



Fieldshow'r is a mobile outdoor shower made out of galvanized and powder-coated iron tubes and a stainless steel spear and pedal. The spear & pedal helps you to firmly plant the Fieldshow'r in lots of soils of your choice. All the connectors, tap and showerhead are made of brass. Just click your garden hose to the standard quick connector at the base and your garden shower is ready. Fieldshow'r is also easily dismountable and can be transformed in a boot-shower. The showerhead comes downside and boots and wellies can be rinsed easily. Weight 10 Kg.

Shoe brushes set

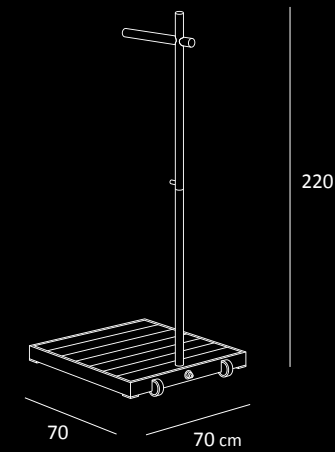




cascade



Cascade is a mobile outdoor shower for terraces and gardens made out of hot galvanised steel. The acacia wood base planks are comfortable and friendly to bare feet. A discreet tap on the vertical tube regulates the shower's pressure and the overhead horizontal tube provides a sheer waterfall curtain of water. Cascade is easy to connect to a garden hose with a quick connector. Two small nylon gliders are hidden at the back of the frame to move the shower easily. This minimal design is 100% sun and rustproof and will provide years of maintenance-free satisfaction. Less is more. Weight 30 Kg.

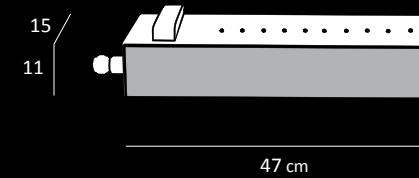




wellwell



WellWell is a new concept in outdoor showers. Spring water gushes from the earth upwards, just as water is drawn from a well upwards. The jets of the WellWell push the water up to head height. No more pipes... WellWell is made of weatherproof wood and aluminium, a minimalist design piece with a small footprint. A tap that can be operated with bare feet, regulates the height of the solid stream of water. WellWell easily connects to the garden hose using the supplied quick connector. It requires a minimum water pressure of 2 Kg for maximum pleasure. WellWell is maintenance free. Weight 3 Kg.

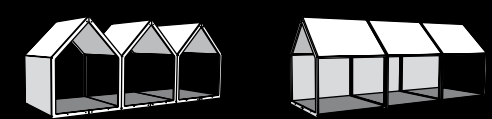
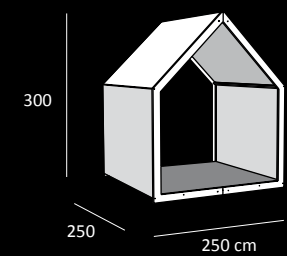


A modern, white, gabled cabin with a dark frame is situated on a sandy beach. The cabin has a large open front and a small table with a lit lantern inside. The background features a wide beach, a body of water, and a sky with scattered clouds during sunset. Tall grasses are in the foreground.

SHELTR



SHELT^R is a canvas tent which can be easily mounted on any type of soil without ropes and stakes. A very basic but iconic design indeed. The frame is made of galvanised steel, covered by a weatherproof fabric that comes in a wide variety of colours with 10 years guarantee, firmly stretched over the frame and fastened with 3 straps with ratchets under the tubes which support the floor. It can be used as a storage facility, an outdoor refuge protecting from the sun or the rain, or an ornamental feature in parks and gardens. It can also be used by restaurants and bars to invest in their outdoor togetherness. SHELT^R is designed to be transported, easily mounted and dismantled on site. The standard version has 2 open sides. Optional wooden doors and canvas sides can be added. The combination of several units is possible. Weight 330 Kg.



Various combinations

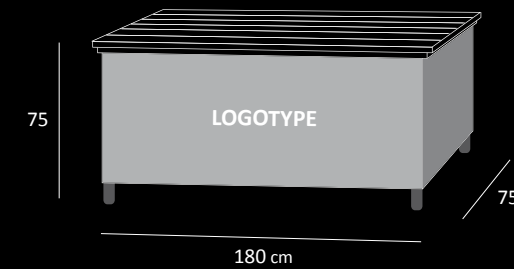


A high-angle photograph of a wooden chest on a tennis court. The chest has a dark wood-grain top and a light-colored base. Two tennis rackets and two tennis balls are resting on the top surface. The chest is on a reddish-brown clay court with white dashed lines. A white fence is visible in the foreground, out of focus.

chest^{er}



Chest'r is a roomy, elegant storage made of wood and canvas, capable of seating up to five adults. The top and base are made out of waterproof Thermowood pine and have been dipped in a protective oil to prevent damage from rain and snow. The frame is built out of robust fiberglass tubing. The side panels are made of a waterproof and sunproof acrylic canvas available in a wide variety of colours. Chest'r stores and protects lounge cushions and conceals tools and toys without any condensation. We recommend treating the wooden lid every year with a protective oil. A sample of this oil is delivered with your Chest'r. The front side can be printed with your personal logotype. Weight 30 Kg.

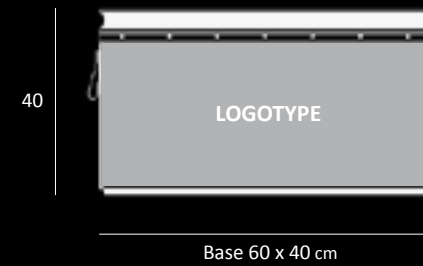




FRESH*R®



Fresh*r is a hamper designed to keep your food and drinks hot or cool in style. Comprised of a shockproof core, weatherproof canvas and a wooden top, Fresh*r will survive any situation. This waterproof and sunproof acrylic canvas is available in a wide variety of colours. Fresh*r will keep its contents at the right temperature for a long time. Designed for temperatures from -40 to 120°C, the 50 litres box is made out of EPP closed cell foam. It is very sturdy and designed to be used as a seat or as a small table. Outdoors or in the garden, Fresh*r will keep your picnic and beverages at just the right temperature. The long sides can be printed with your personal logotype. Weight 6 Kg.

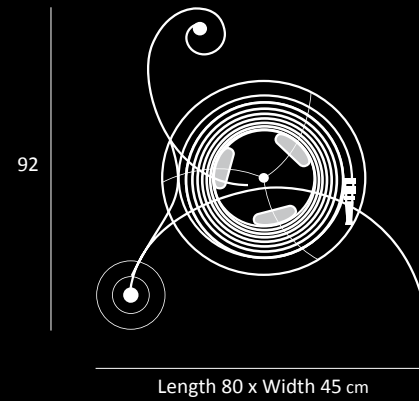




WATERETTE



The Waterette is an elegant hose cart with a nostalgic design. It features a galvanized and powder-coated iron frame, wooden components, brass connectors and nylon bearings and wheels. A brick or black-coloured 13/20 mm diameter rubber hose can be mounted in lengths ranging from 40 to 80 metres max. Its user-friendly handle makes it easy to rewind extensive lengths of hosepipe. The equipment also includes 5 brass quickconnectors and a spray gun. Weight with 40 m hose 25 Kg, with 60 m hose 30 Kg, with 80 m hose 35 Kg.

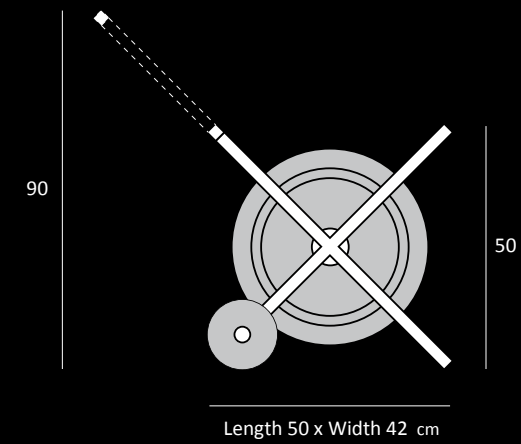




rollix



rollX is a compact, clean, minimalist hose reel made out of stainless steel. The strong X-frame contains a telescopic handle and two wheels that make it very mobile. The black rubber hose is 40 metres long with a diameter of 13/20 mm. 5 professional quick-connectors and a spray gun made of chromed brass are added to the set. rollX was designed to be as small as possible for terraces, gardens, and storage. You can retract a hidden handle to hip height and easily roll the hose reel to the next water tap. Weight 20 Kg.

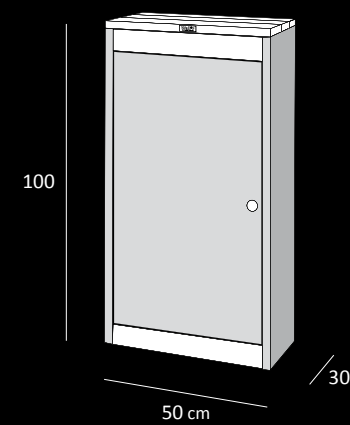




Wall[®]r



Wall°r is a mural hose reel mounted on a door. The door is used as a swing-arm. It allows a smooth in and out movement of the hose. By turning the Wall°r upside down you have a right or left door opening. It is made out of hot galvanised steel, weatherproof wood and stainless steel screws and bolts. The black or brick rubber hose is 40 meters long with a diameter of 13/20 mm. We added 5 professional quick-connectors and a spray gun made of chromed brass to the set. Nothing affects the rugged Wall°r, which is absolutely maintenance free. Weight 40 Kg.

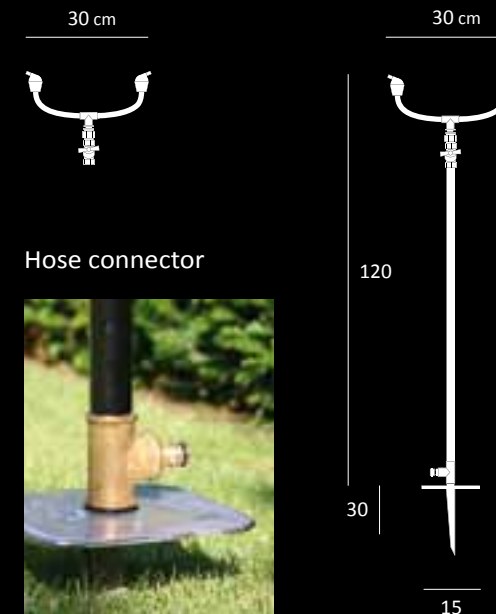




Propel[®]R
The LAWN SPRINKLER



Propel'r is an elegant mobile rotating sprinkler comprised of a galvanised and power-coated iron tube, a stainless steel spear and pedal and a rotating brass waterhead. Select the right water pressure and output, then the Propel'r can be tuned for watering all kind of surfaces. A water ballet ! Maximum range 150 m² with 2 Kg/cm² pressure. The spear & pedal helps you to firmly plant the Propel'r in lots of soils. The Propel'r is also easily transformed into a garden shower by adding the upper section of the Show'r onto the base tube. Weight 5 kg.

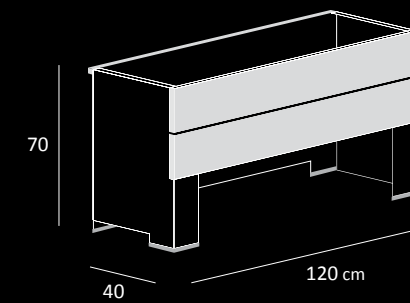
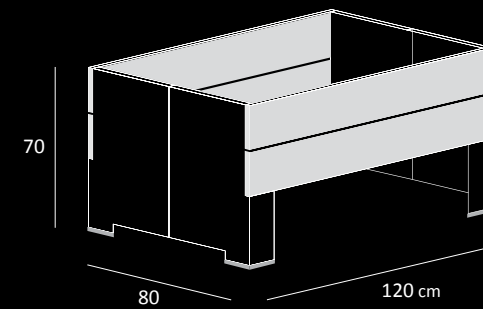




CULT 



Cult is an elevated planter designed to help you grow your own vegetables and herbs with pride and without the need of a vast garden. Cult holds soil up to 40 cm deep and is lifted up to 70 cm high. This makes gardening pleasant and easy accessible whilst avoiding lower back pain. Cult is placed on your terrace, near the kitchen or in the garden. Constructed out of 3mm thick hot galvanised steel plate and Paduk wooden boards, it's maintenance free and weather resistant for decades. Cult capacity 400 liters, empty weight 50 Kg. Half-Cult capacity 200 liters, empty weight 27 Kg.

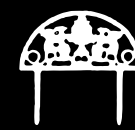




For centuries discerning gardeners have been using cast iron edging for lawns and parks all over the world. The Bordurette brings back this authentic touch. It is a quality product made by traditional foundries. The Bordurette is not only classically ornamental, it is also supremely practical. Easy to install, permanent and maintenance-free, it can be used as a small fence, an indicator or a border iron. The Bordurette is available in 7 models for the perfect choice for your garden!



Spring
H. 32 cm
2 pcs / m
3 Kg



Venise
H. 16 cm
3 pcs / m
1,4 Kg



Terra
H. 17 cm
2 pcs / m
3,5 Kg



Roman
H. 17 cm
7 pcs / m
0,7 Kg



Dragon
H. 22 cm
7 pcs / m
0,7 Kg



Duparc
H. 19 cm
5 pcs / m
0,7 Kg



Gothic
H. 23 cm
5 pcs / m
1,1 Kg



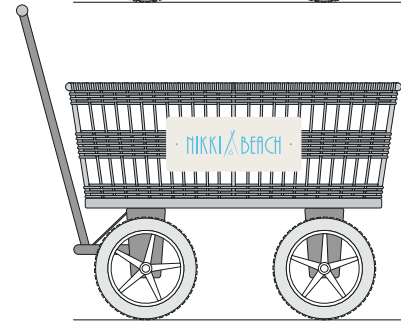
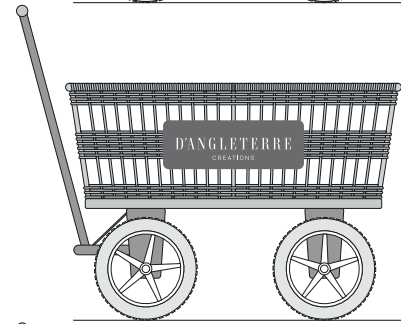
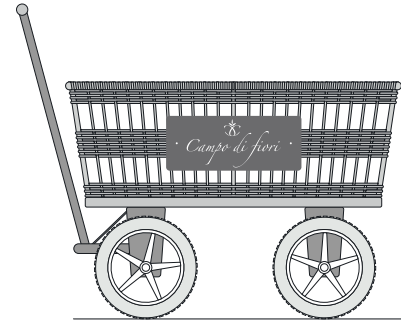


Customization

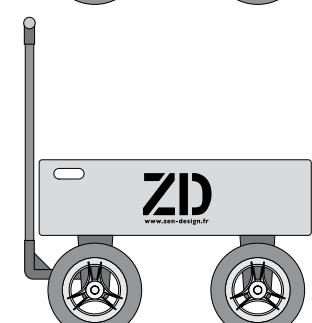
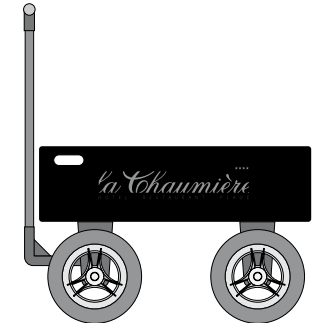
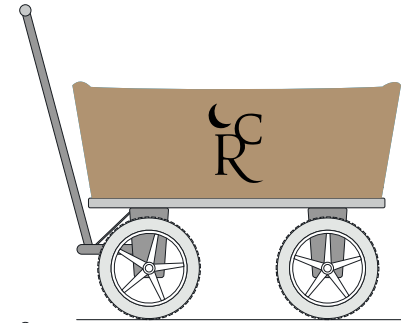
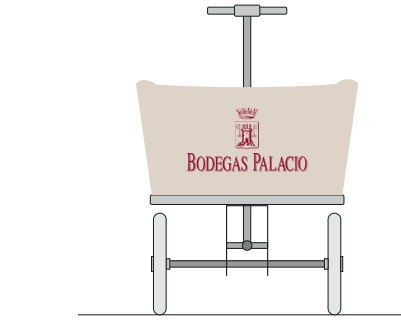
At Tradewinds we can print your label, logo or text on a selection of our products. All the items made with canvas can be personalised. The Basket for the Wagon can receive two printable plates. The sides of the Wagon can be printed or wrapped at your demand. Examples on pages 82 and 83.



Customization



Customization





Handmade in Belgium

HIB (Handmade in Belgium) is a quality label and a community that wants to put today's craftsmen in the spotlight.

It also informs the new consumer about the authenticity and quality used by these craftsmen.



Certified Craft

Certified Craftsmen is a legal recognition obtained from the Belgian government. The selection for this title is based on knowhow, authenticity and manual labor used in the production process of these very craftsmen.

PASCAL OLIVIER



TRADEWINDS BVBA
A. CATRIESTRAAT 39 G
9031 DRONGEN
BELGIUM

PHONE +32 (0)9 375 25 05
JP.GALEYN@TRADE-WINDS.BE
WWW.TRADE-WINDS.BE